

Aruca Plus

TECHNICAL
DATA SHEET

UNIQUE CHARACTERISTICS



ATP Synergic Tube

Hybrid steel and engineered technical polymers tube with excellent rigidity, unsurpassed corrosion resistance and total protection against electric shocks.



Immune to Corrosion

Built with raw materials that are not susceptible to corrosion.



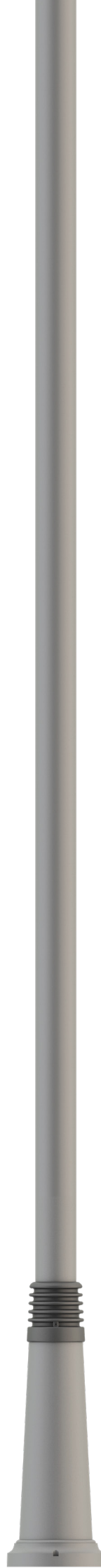
100% Recyclable

Built with 100% recyclable and cost effective reusable materials; reducing waste to 0%.



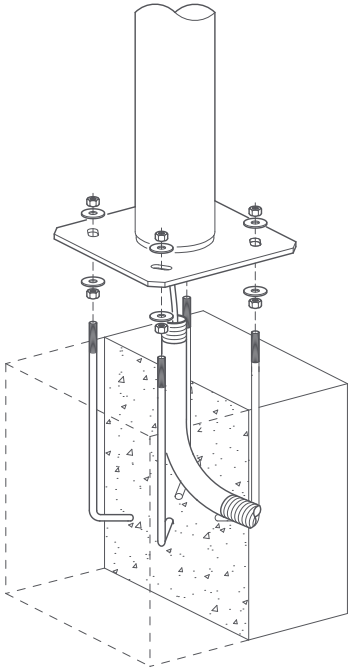
10 year warranty

The highest warranty in the field.



TECHNICAL CHARACTERISTICS

ANCHOR SYSTEM

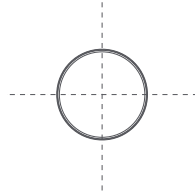


INSULATION LEVEL

CLASS II
(UNE EN 60598)

AENOR CERTIFICATE
CE

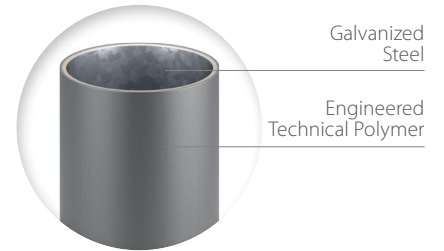
Nº 019/000131
0099/CDP/A55/A0099



Sinergy Tube Ø120

Interior
Tube Ø114,3x4
Galvanized Steel

Exterior
Tube Ø120x2,5
Engineered Technical
Polymers



Galvanized
Steel

Engineered
Technical Polymer

