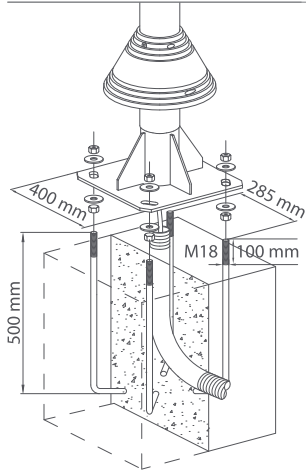


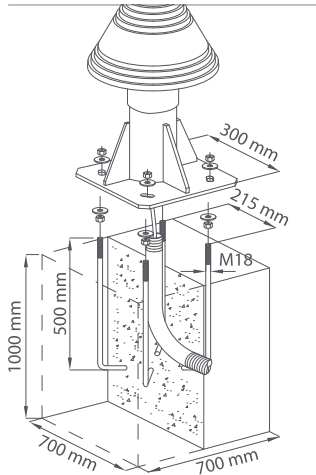
## TECHNICAL CHARACTERISTICS

### ANCHOR SYSTEM

#### AGL



#### AGM

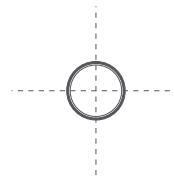


### SECTIONS

#### SINERGY TUBE Ø 75

Interior  
Tube Ø 70 x 4  
Galvanized Steel

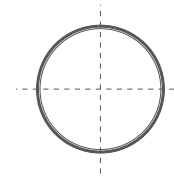
Exterior  
Tube Ø 75 x 2,5  
Engineered Technical  
Polymers



#### SINERGY TUBE Ø 164

Interior  
Tube Ø 159 x 4  
Galvanized Steel

Exterior  
Tube Ø 164 x 2,5  
Engineered Technical  
Polymers



### SPECIFICATIONS

#### INSULATION LEVEL

CLASS II (UNE EN 60598)

#### AENOR CERTIFICATE

Nº 019/000131

#### CE CERTIFICATE OF CONFORMITY

0099/CDP/A55/A0099

