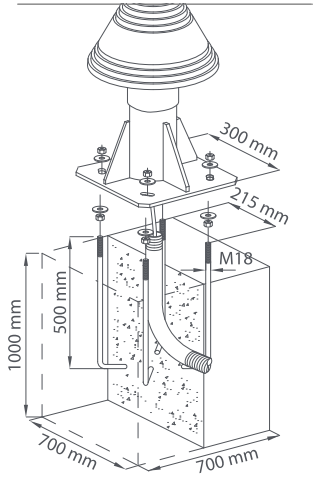


## TECHNICAL CHARACTERISTICS

### ANCHOR SYSTEM

AGM

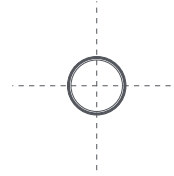


### SECTIONS

SINERGY TUBE Ø 75

Interior  
Tube Ø 70 x 4  
Galvanized Steel

Exterior  
Tube Ø 75 x 2,5  
Engineered Technical  
Polymers



### SPECIFICATIONS

INSULATION LEVEL

CLASS II (UNE EN 60598)

AENOR CERTIFICATE

Nº 019/000131

CE CERTIFICATE OF CONFORMITY

0099/CDP/A55/A0099

