



**ATP**  
*lighting*

Astral BLC5



## Unique Characteristics



### Laminar Heatsink®

Designed and internationally patented by ATP to maximize the lifespan of our new generation of high performance LED luminaires.



### Comfort Diffuser®

Diffuser designed to improve pedestrian visual comfort on LED systems. Outstanding performance. The lighting results are not affected due to a rigorous photometric control.



### ATP Polymeric Materials

Latest generation of ATP polymeric materials. Our exclusive formula of polymers gives way to T5 and S7 ATP materials. Materials especially designed to satisfy the maximum resistance requirements to vandalism and external agents.



### Immune to Corrosion

Built with raw materials that are not susceptible to corrosion.



### IP66+ Totally Hermetic

Several devices assure sealing of the luminaire in any situation, providing full protection to all elements in the interior.



### IK10+ More than Vandal-Proof

Over 50 Joules impact tests approved. This is more than 200% IK EN 50102 Standard.



### Electrical Shock Free

Insulating materials that do not conduct electricity avoiding any electrocution danger.



### 100% Recyclable

Built with 100% recyclable and cost effective reusable materials; reducing waste to 0%.



### 10 year warranty

The highest warranty in the field.



Designed and manufactured integrally by ATP in Europe

ATP LIGHTING INTERNATIONAL, S.A.  
Zollikerstrasse 249 · 8008 Zurich (Switzerland)  
info@atplighting.com · www.atplighting.com

Optimized Energetic Efficiency



# Astral BLCS

**ATP** lighting  
10 YEAR WARRANTY  
IMMUNE TO CORROSION  
STREET LIGHTING

 **Standard colours**  
Other colours available on demand.



**N** Black



**GC** Light grey



**GO** Dark grey



**V** Green

## Technical specifications

### Coupling

Ø 60 mm.

### Adaptor

Ø 50 mm.

### LED voltage

220-240 V 50-60 Hz

### Recommended maximum height

5 m.

### Weight without gear

7,7 Kg.

### Photocell

On request.

### Protection grades



### Exclusive technology



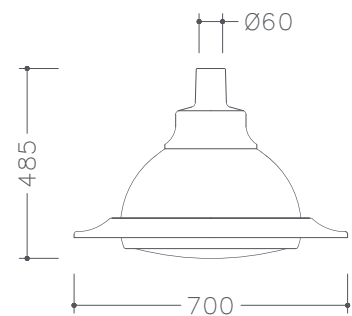
### Electrical class



### Warranty



### Dimensions



## Certificates



NOM



ANCE



AENOR



ENEC



ISSOP



CE



Certification CB

## Available optics



LED



100W Max.



100W Max.



100W Max.

 Designed and manufactured integrally by ATP in Europe

ATP LIGHTING INTERNATIONAL, S.A.  
Zollikerstrasse 249 · 8008 Zurich (Switzerland)  
info@atplighting.com · www.atplighting.com

Optimized Energetic Efficiency 

## Technical Specifications

### Control Gears

LED Luminaires are supplied with programmable constant current control gears and support remote wireless street lighting Control Management System. Voltage 220 - 240 V 50 - 60 Hz and 120 - 277 V 50 - 60 Hz upon request.

Standard electronic control gears feature:

High over voltage protection: up to 10kV.

Thermal protection.

Programmable functions:

Dynamic dimming depending on the night duration and programmed time schedules. (Up to 6 different levels).

DALI interface that allows sensor or Wireless Street Lighting CMS connectivity.

Dimming via an external command line.

Dimming via mains voltage amplitude (on request).

Constant lumen output (CLO).

Temperature protection of the LED module (on request).

Presence sensor connectivity (on request).

LED module end-of-life signal (on request).

### Electrical Wiring

Certified by CENELEC HAR trademark.

Insulated with fireproof V0 class silicones (self-extinguishing).

Double insulation hoses with V0 class silicone.

Tube connector IP68.

### Resistance to corrosion

Materials are totally resistant to corrosion.

Screws made of stainless steel.

### Materials

Made of reinforced technical polymers submitted to 3000 hours of UV radiation (S/UNE 53104/86). Colour alteration is not shown.

Diffuser made of transparent tropicalized thermo-polymer, T5, stabilized against UV radiation.

### Maintenance

Maintenance is not required. Easy cleaning (external and the inside) using water and soap applied with sponge. Independent and extractable lamp trays, without tools, for an easy handling.

### Vandal proof

The materials as well as the constructive feature, confer, ATP Light Fixtures, an extremely impact resistance. This resistance doubles IK10 standards, established by the UNE-EN 50102/A1 norm.

### Electrical Class

Class II.

### Protection grades

Integral sealing IP66.

Impact resistance IK10.

### Certificates

CE: European Conformity mark. Certified for HPS, MH and LED.

N: Spanish association of standarization and certification. Certified for HPS and MH.

ENEC: European Norms Electrical Certification. Certified for HPS and MH.

NOM-ANCE: Association of standarization and certification of the electrical sector.

NOM is specific for electric products.

ISSOP stamp, which distinguishes enterprises whose manufactured products without planned obsolescence.

IECEE: IEC System of Conformity Assessment Schemes for Electrotechnical Equipment and Components.

CB (IECEE) Certification Number: ES1717.

