

 **Standard colours**
Other colours available on demand.



N Black



GC Light grey



GO Dark grey



V Green

Technical specifications

Coupling

Ø 60 mm.

Adaptor

Ø 50 mm.

LED voltage

220-240 V 50-60 Hz

Recommended maximum height

12 m.

Weight without gear

7,3 kg.

Photocell

On request.

Protection grades



Totally hermetic



More than vandal-proof

Exclusive technology



Laminar Heatsink*



Comfort Diffuser*

Electrical class



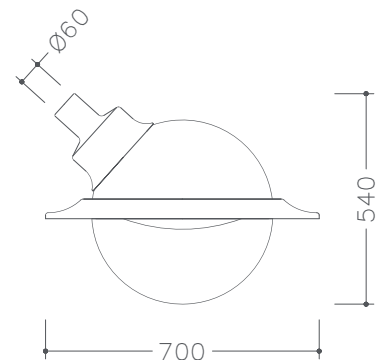
Class II

Warranty



Integral Warranty

Dimensions



Certificates



NOM



CE



UKCA



ENEC



ISSOP



CB Certificate

Available optics



100W Máx.



100W Máx.



100W Máx.



100W Máx.



100W Máx.



100W Máx.

Temperaturas de color



PC ÁMBAR



1800 K



2200 K



2700 K



3000 K



4000 K