

 **Standard colours**  
Other colours available on demand.



**N** Black



**GC** Light grey



**GO** Dark grey



**V** Green

## Technical specifications

### Coupling

Ø 60 mm.

### Adaptor

Ø 50 mm.

### LED voltage

220-240 V 50-60 Hz

### Electronic discharge voltage

208-277 V 50-60 Hz

### Electromagnetic discharge voltage

230 V 50 Hz / 220 V, 240 V 60 Hz

### Recommended maximum height

8 m.

### Weight without gear

5,9 kg.

### Protection grades



### Exclusive technology



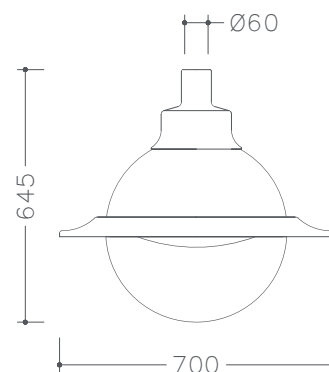
### Electrical class



### Warranty



### Dimensions



## Certificates



NOM



CE



UKCA



ENEC



ISSOP



CB Certificate

## Available optics



100W Max.



100W Max.



100W Max.



100W Max.



100W Max.



100W Máx.

## Colour temperatures



PC AMBER



1800 K



2200 K



2700 K



3000 K



4000 K