

 **Standard colours**
Other colours available on demand.



N Black



GC Light grey



GO Dark grey



V Green

Technical specifications

Coupling

Ø 60 mm.

Adaptor

Ø 50 mm.

LED voltage

220-240 V 50-60 Hz

Recommended maximum height

12 m.

Weight without gear

5,3 kg.

Photocell

On request.

Protection grades



Exclusive technology



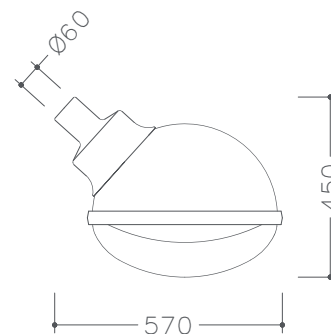
Electrical class



Warranty



Dimensions



Certificates



NOM



CE



UKCA



ENEC



ISSOP



CB Certificate

Available optics



100W Max.



100W Max.



100W Max.



100W Max.



100W Max.



100W Máx.

Colour temperatures



PC AMBER



1800 K



2200 K



2700 K



3000 K



4000 K