

Pescador LA

ATP lighting
10 YEAR WARRANTY
IMMUNE TO CORROSION
STREET LIGHTING

 **Standard colours**
Other colours available on demand.



N Black



GC Light grey



GO Dark grey



V Green

Technical specifications

Coupling

Ø 60 mm.

Adaptor

Ø 50 mm.

LED voltage

220-240 V 50-60 Hz

Electronic discharge voltage

208-277 V 50-60 Hz

Electromagnetic discharge voltage

230 V 50 Hz / 220 V, 240 V 60 Hz

Recommended maximum height

8 m.

Weight without gear

7,0 kg.

Photocell

On request.

Protection grades



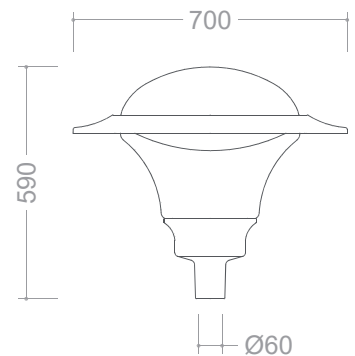
Exclusive technology



Electrical class



Warranty



Certificates



NOM



CE



UKCA



100W Max.



100W Max.



100W Max.



100W Max.



100W Max.



100W Máx.



ENEC



ISSOP



Certificado CB

Colour temperatures



PC AMBER



1800 K



2200 K



2700 K



3000 K



4000 K

 Designed and manufactured integrally by ATP in Europe

ATP LIGHTING INTERNATIONAL, S.A.
Chlupfgasse 2 · 8303 Bassersdorf · Switzerland
info@atplighting.com · www.atplighting.com