

Aire Serie 7 Transparent



ENEC



CB Certificate



NOM



AENOR



ISSOP



CE



UKCA



Community Member

Zhaga Consortium

Aire Serie 7 Transparent

High-Impact Tropicalized Transparent Thermo-Polymer T5



Lighting performance superior to glass, and 200 times more resistant.

Chemical polishing for maximum transparency and transmittance.

Exceeds impact tests above 50 joules – more than twice the standard set by IK EN 62262–

Reinforced Engineering Technical Polymer S7



Immune to corrosion and degradation caused by atmospheric agents.

Withstands tropical storms, constant humidity, electrocution, salt exposure, and even fire.

The material has been subjected to 3000 hours of UV radiation without showing any color alteration.

Aire Serie 7 Transparent



Technical characteristics

Maximum recommended height	14 m
Weight	11 kg
Wind surface	552 cm ²
Coupling	60 / 50 mm
Insulation class	Class II
Full warranty	10 years
IK protection rating	IK10
IP protection rating	IP66+IPX9
Laminar Heatsink®	Yes
Photocell option	Yes
Zhaga / Nema compatible connector	Yes
Diffuser type	Transparent Diffuser

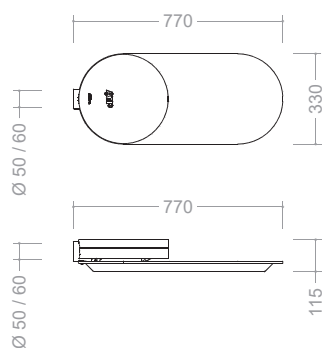
Standard colors (*)



BLACK

LIGHT GREY

Dimensions



Optics (**)

A4 FHS: 0.96%	A5 FHS: 1.17%	A7 FHS: 2.43%	A12 FHS: 1.94%
S2 FHS: 1.09%	P1 FHS: N/D	P2 FHS: N/D	P3 FHS: N/D
A11 FHS: N/D	A10 FHS: N/D	A30 FHS: N/D	

Power configurations



Color temperature / CRI

1800 K / IRC 70	2200 K / IRC 70
2700 K / IRC 70	3000 K / IRC 70
4000 K / IRC 70	PC AMBAR / IRC 58

* OTHER COLORS AVAILABLE ON REQUEST
** OTHER OPTIONS AVAILABLE ON REQUEST

Aire Serie 7 Transparent



Certificates and Approvals

Technical	Values
Manufacturing materials	Non-conductive and stainless housing materials, resistant to 3,000 hours in a UV chamber (according to UNE 53104) without showing any color alteration. Tropicalized transparent high-impact T5 polymer diffuser, UV-stabilized. {{TipoDifusor_EN}}
Dimensions	770 x 330 x 130
Isolation class	Electrical insulation level of the luminaire: Class II according to UNE-EN 60598 standard.
Upward flux fraction (UFF)	2.43%
Lifetime	Luminaire lifespan of 100,000 hours when operating at an average ambient temperature of 25°C.
Operating temperature range	Operating temperature range from -30 to +35°C.
IP degree	Protection rating of the entire enclosure, including the optical assembly, IP66 + IPX9 (15°C) according to UNE-EN 60598 standard.
IK degree	IK10 rating across the entire luminaire, resistant to 20-joule impacts according to UNE-EN 62262 standard.
Light source	Light source with high-power LEDs.
Available optics	A4, A5, A7, A12, S2, P1, P2, P3, A11, A10, A30
CCT and CRI	1800 K IRC>70, 2200 K IRC>70, 2700 K IRC>70, 3000 K IRC>70, 4000 K IRC>70, PC AMBAR IRC>58
Certifications	CE, UKCA, NOM, N, IECEE, ENEC, ISSOP, Zhaga

	European Conformity Mark.		NOM: Official Mexican Standards.
	N: Spanish Association for Standardization and Certification.		IECEE CB: IIEC System of Conformity Assessment Schemes for Electrotechnical Equipment and Components (Conformity assessment of systems for electronic equipment and components).
	ENEC: European Norms Electrical Certification.		UK Conformity Assessed
	ISSOP: Seal (Sustainable Innovation without Planned Obsolescence).		Zhaga Community Member.

Aire Serie 7 Transparent



Technical specifications

Non-conductive and stainless housing materials, resistant to 3,000 hours in a UV chamber (according to UNE 53104) without showing any color alteration. Tropicalized transparent high-impact T5 polymer diffuser, UV-stabilized. One-piece diffuser with side locking mechanism that provides a complete seal over the LED optics. Luminaire opening via M8 Allen screw. IK10 rating across the entire luminaire, resistant to 20-joule impacts according to UNE-EN 62262 standard. Protection rating of the entire enclosure, including the optical assembly, IP66 + IPX9 (15°C) according to UNE-EN 60598 standard. Electrical insulation level of the luminaire: Class II according to UNE-EN 60598 standard. Seamless polyurethane gasket without degradable adhesive. Minimum diffuser thickness of 2.5 mm or greater in all areas. Connection system using double-insulated (reinforced insulation) cable of 2x0.75 mm² or 2x1.5 mm² upon request. At the end, an IP68 watertight connector compliant with International Standard IEC 60529, UNE-EN 60598-1, or equivalent ANSI standard. Stainless steel screws. Luminaire external dimensions: 770 x 330 x 130 mm (Length x Width x Height). Minimum luminaire efficiency: 88.8. Upper hemisphere flux (FHS) lower than 2.43%. Photometric information available in American electronic format (IES) or European format (LDT). 100% recyclable luminaire. Standard available color temperatures and CRI: 1800 K IRC>70, 2200 K IRC>70, 2700 K IRC>70, 3000 K IRC>70, 4000 K IRC>70, PC AMBAR IRC>58. Light source with high-power LEDs. Luminaire lifespan of 100,000 hours when operating at an average ambient temperature of 25°C. Operating temperature range from -30 to +35°C. LED module luminous flux maintenance: L90 > 100,000h at 25°C ambient temperature and drive currents of 700mA or lower. Standard available optics: A4, A5, A7, A12, S2, P1, P2, P3, A11, A10, A30. Nominal input voltage range: 220~240VAC (supports 198~264VAC). Line frequency:

50/60Hz. Power factor: ≥ 0.98 (@ 230VAC). THD (@ 230VAC) < 8%. LED drive current: constant current. Programmable electronic control gear. Constant current driver capable of storing a profile to autonomously regulate the luminaire's power. This profile can be modified either through external programming via PWM pulses by accessing the column junction box, or from the control panel using network pulses, allowing the behavior of all luminaires connected to the same line to be changed. Surge protection of 6kV/3kA in differential mode (between line and neutral) in accordance with EN 61547-5-7 standard. CE, UKCA, NOM, N, IECCE, ENEC, ISSOP, Zhaga

Aire Serie 7 Transparent



Photometric data

Fluxes and power @ 1800 K - IRC 70 (A5)	LED125	LED150	LED200
Total luminous flux at 25°C (Lm)	12192 Lm	14630 Lm	19506 Lm
Luminaire efficacy (Lm/W)	96.76 Lm/W	96.25 Lm/W	99.52 Lm/W
Total luminaire power (W)	126.0 W	152.0 W	196.0 W
Number of LED modules	60 LED	72 LED	96 LED
LED driving current	700 mA	700 mA	680 mA

Fluxes and power @ 2200 K - IRC 70 (A5)	LED125	LED150	LED200
Total luminous flux at 25°C (Lm)	14373 Lm	17248 Lm	22998 Lm
Luminaire efficacy (Lm/W)	114.07 Lm/W	113.48 Lm/W	117.33 Lm/W
Total luminaire power (W)	126.0 W	152.0 W	196.0 W
Number of LED modules	60 LED	72 LED	96 LED
LED driving current	700 mA	700 mA	680 mA

Fluxes and power @ 2700 K - IRC 70 (A5)	LED125	LED150	LED200
Total luminous flux at 25°C (Lm)	15474 Lm	18569 Lm	24758 Lm
Luminaire efficacy (Lm/W)	122.81 Lm/W	122.16 Lm/W	126.31 Lm/W
Total luminaire power (W)	126.0 W	152.0 W	196.0 W
Number of LED modules	60 LED	72 LED	96 LED
LED driving current	700 mA	700 mA	680 mA

Fluxes and power @ 3000 K - IRC 70 (A5)	LED125	LED150	LED200
Total luminous flux at 25°C (Lm)	16753 Lm	20104 Lm	26804 Lm
Luminaire efficacy (Lm/W)	132.96 Lm/W	132.26 Lm/W	136.75 Lm/W
Total luminaire power (W)	126.0 W	152.0 W	196.0 W
Number of LED modules	60 LED	72 LED	96 LED
LED driving current	700 mA	700 mA	680 mA

Fluxes and power @ 4000 K - IRC 70 (A5)	LED125	LED150	LED200
Total luminous flux at 25°C (Lm)	16958 Lm	20350 Lm	27133 Lm
Luminaire efficacy (Lm/W)	134.59 Lm/W	133.88 Lm/W	138.43 Lm/W
Total luminaire power (W)	126.0 W	152.0 W	196.0 W
Number of LED modules	60 LED	72 LED	96 LED
LED driving current	700 mA	700 mA	680 mA

Aire Serie 7 Transparent



Photometric data

Fluxes and power @ PC AMBAR - IRC 58 (A5)	LED125	LED150	LED200
Total luminous flux at 25°C (Lm)	10801 Lm	12962 Lm	17282 Lm
Luminaire efficacy (Lm/W)	85.05 Lm/W	82.56 Lm/W	83.61 Lm/W
Total luminaire power (W)	127.0 W	157.0 W	206.7 W
Number of LED modules	60 LED	72 LED	96 LED
LED driving current	700 mA	700 mA	680 mA



10-year warranty immune to corrosion street lighting



Quality Management



Environmental Management



Occupational Health and Safety Management

Alumbrado Técnico Público S.A.

Avenida de Irún, 33 · 31194 · Arre (Navarra), Spain | Tel. (+34) 948 330 712
info@atpiluminacion.com | www.atpiluminacion.com